

BP UNIVERSAL TAPE HEAD ADAPTER KIT FORM

Date _____

End User

Dealer

Company Name _____
 Address _____
 City _____ State _____ Zip _____
 Contact Name _____
 Title _____
 Telephone No. _____
 Fax _____
 E-mail _____

Company Name _____
 Address _____
 City _____ State _____ Zip _____
 Contact Name _____
 Title _____
 Telephone No. _____
 Fax _____
 E-mail _____

Machine Make and Model _____

Serial Number _____

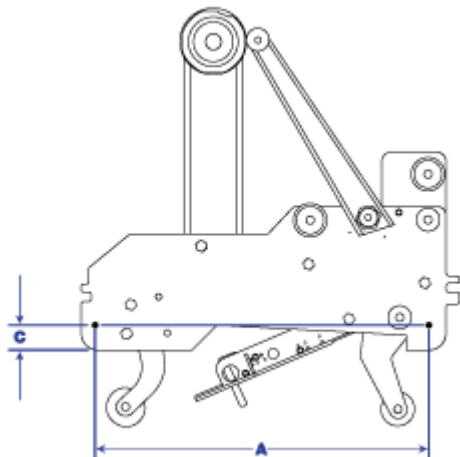
Tape Head Size: 2" 3" Top Bottom

Low Tape Sensor: Y N

No Tape Sensor: Y N

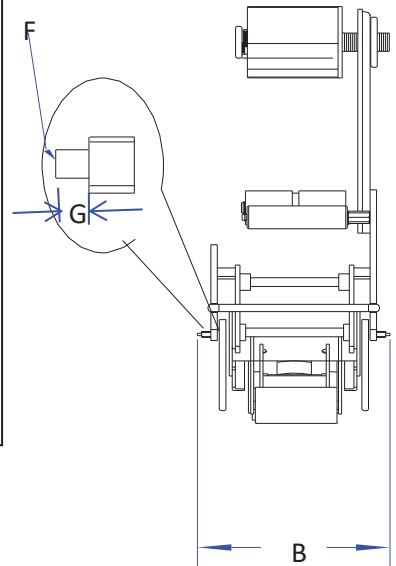
**Tape Head Measurements
For machines that require mounting studs**

Length and height Measurements



- A. Length measurements are from center of stud to center of stud.
- B. Width measurements are from end of stud to end of stud.
- C. Height measurements are from bottom of tape head to center of stud.
- D. Width of tape head cavity
- E. Length of tape head cavity
- F. Diameter of stud
- G. Length of the stud from end of stud to beginning of shoulder

Width and Diameter



A. _____" E. _____"
 B. _____" F. _____"
 C. _____" G. _____"
 D. _____"

Website: <http://www.bestpack.com> • **Email:** sales@bestpack.com • **Phone:** 888-588-2378, 909-987-4258 • **Fax:** 909-987-5189

QUALITY • INNOVATION • CUSTOMIZATION